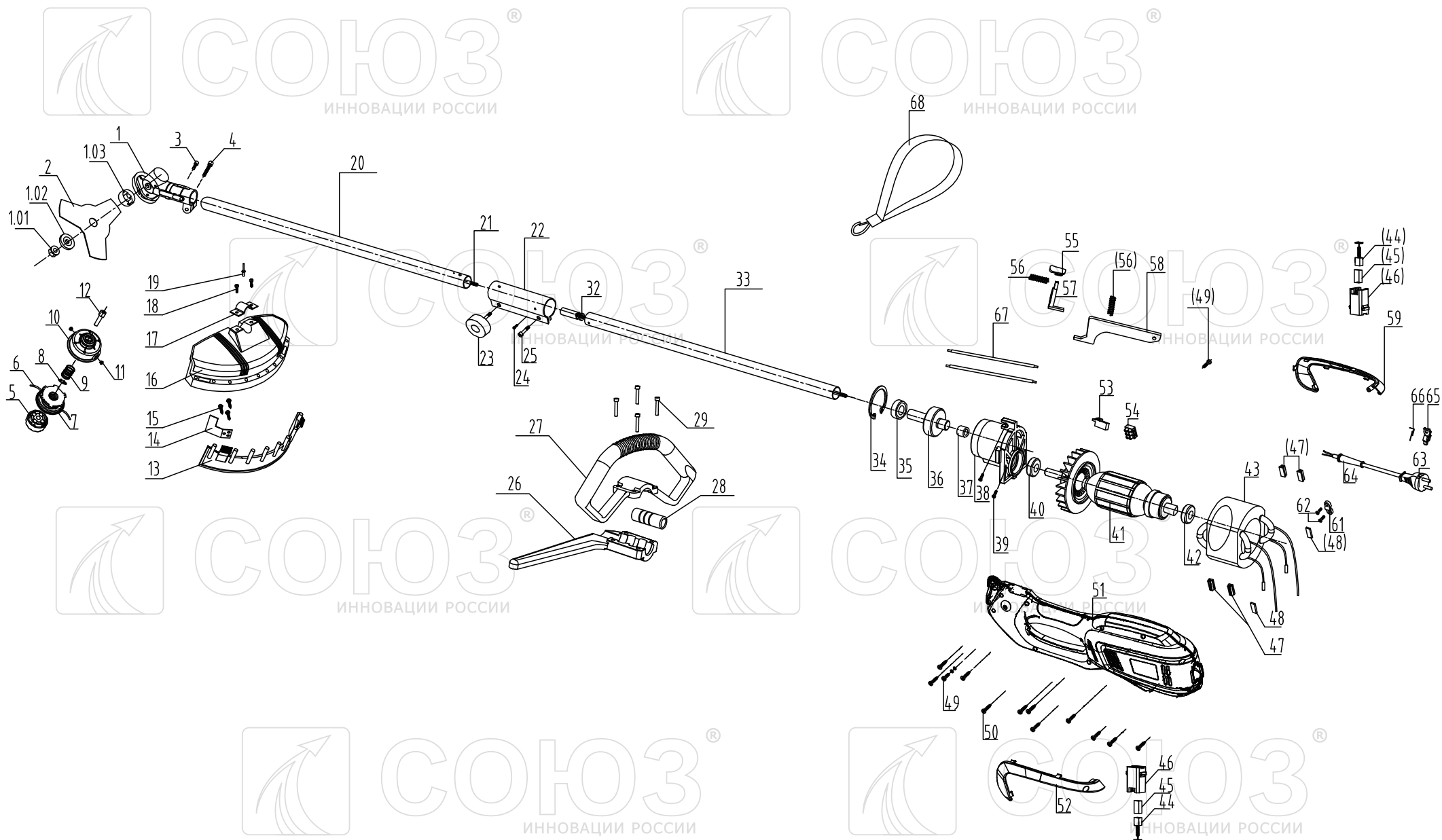


ГКС-1500Д



ГКС-1500Д

NO.	DESCRIPTION	NO.	DESCRIPTION
1	gearbox assy	34	ring 32
1.01	screw M10X1.25Left	35	bearing 6201
1.02	up press plate	36	gear shaft
1.03	down press plate	37	bearing HK1010
2	blade	38	front surport
3	screw M5X12	39	screwST4.8X16
4	screw M6X25	40	bearing 6900
5	line cover	41	rotor
6	2.0 line	42	bearing607
7	line seat	43	stator
8	ring 12	44	carbon brush
9	press spring	45	copper sleeve
10	line housing	46	carbon brush surport
11	bush	47	rubber plate
12	shaft1	48	rubber plate2
13	grass board base	49	screw M5X14
14	knife	50	screwST4X16
15	screwST4X16	51	housing
16	grass board	52	left edge
17	guard plate	53	switch
18	screw M6X22	54	connector seat
19	rivet4x6	55	button
20	steel tubeA 760	56	press spring
21	soft tubeA 784	57	rod
22	connector	58	trigger
23	button	59	right edge
24	screwM4X10	61	press plate
25	screwM6X14	62	screwST4.2X16
26	front handle 1	63	power cord
27	front handle 2	64	sheath
28	front handle sleeve	65	buckle
29	screw M5X27	66	torion spring
32	soft shaftB	67	switch line
33	steel tubeB	68	belt

GKS-1500D ex-RUS230918